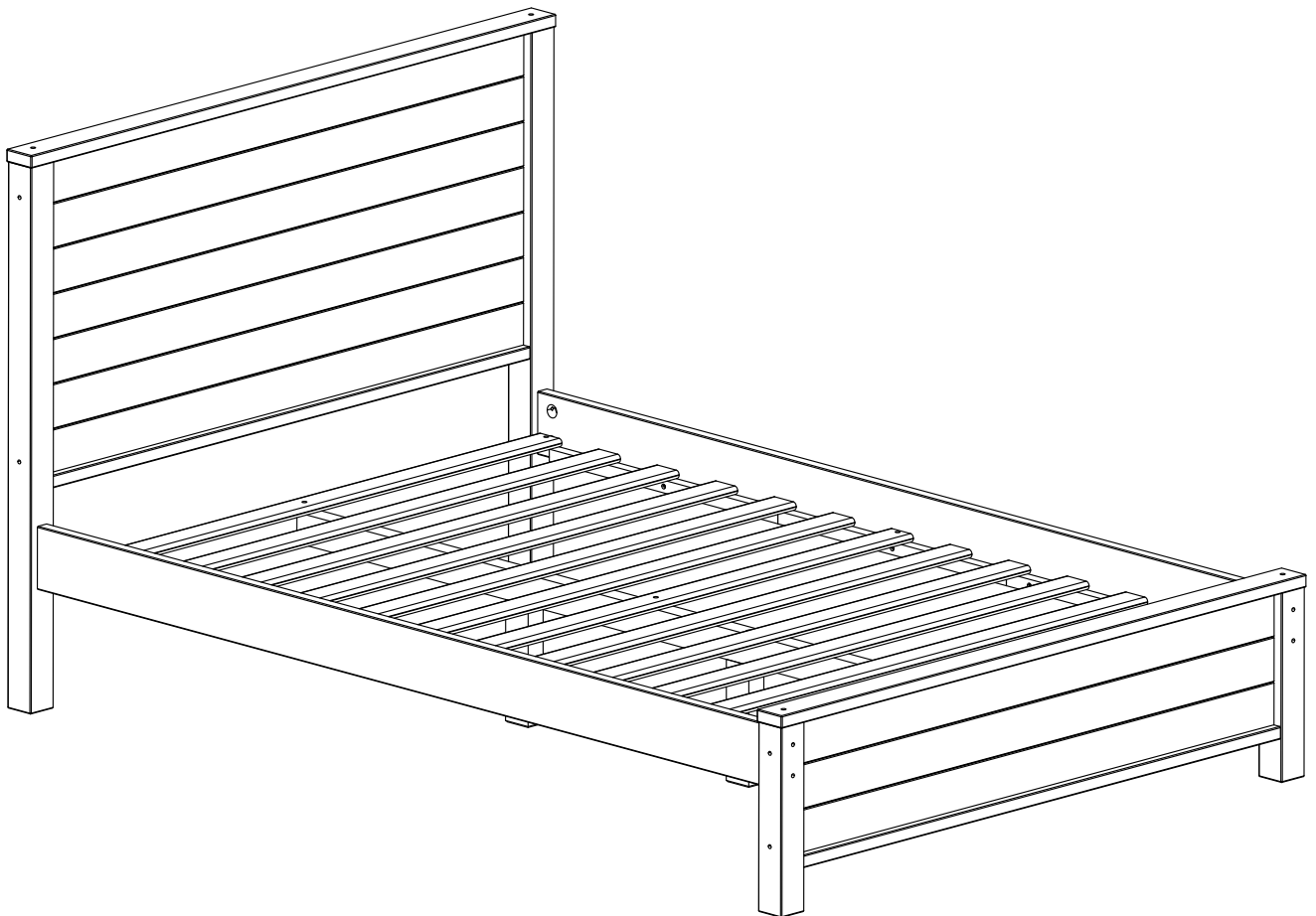
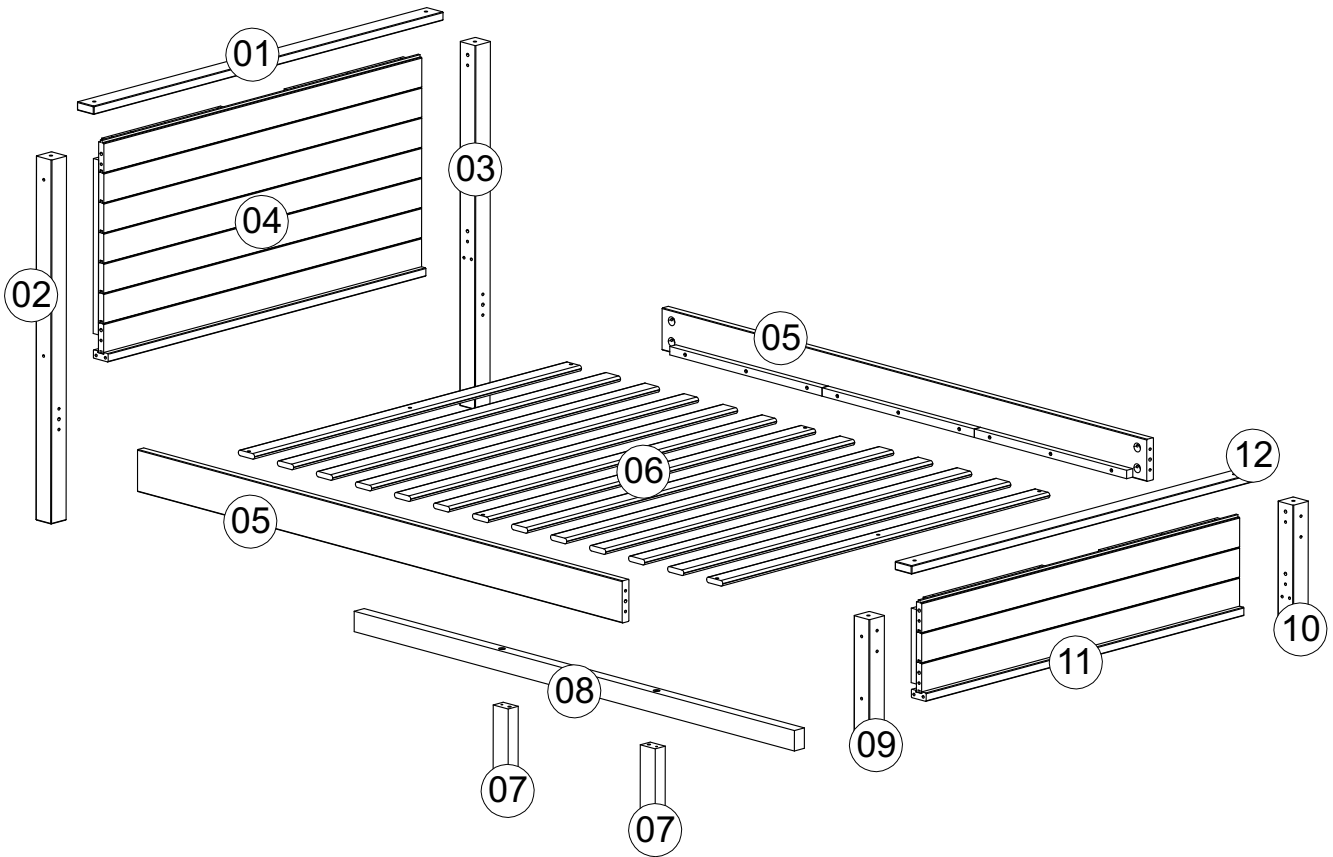


ASSEMBLY INSTRUCTIONS

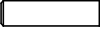
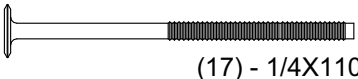

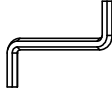




FULL PANEL BED



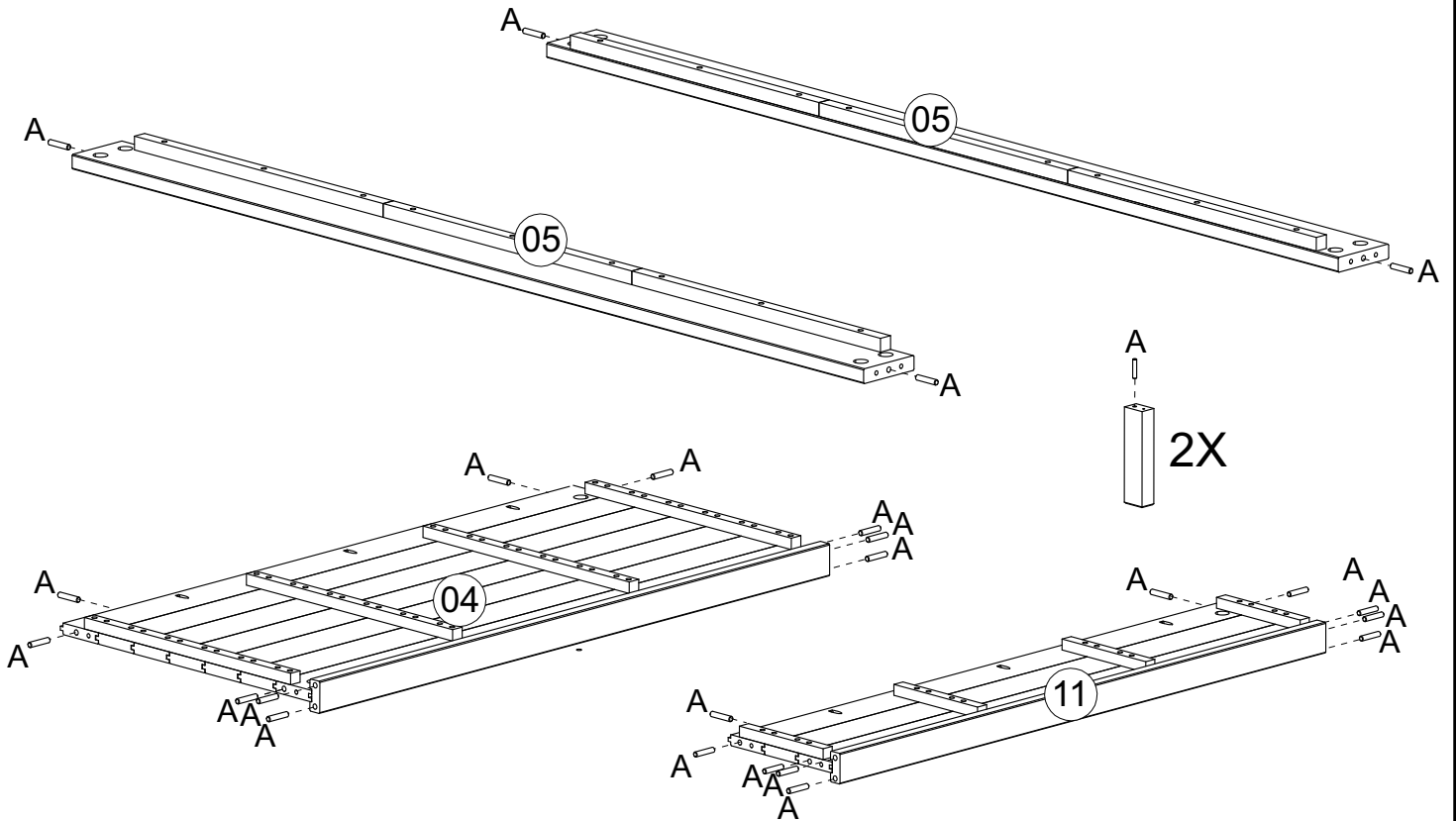
COMPONENTS

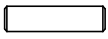


HARDWARE

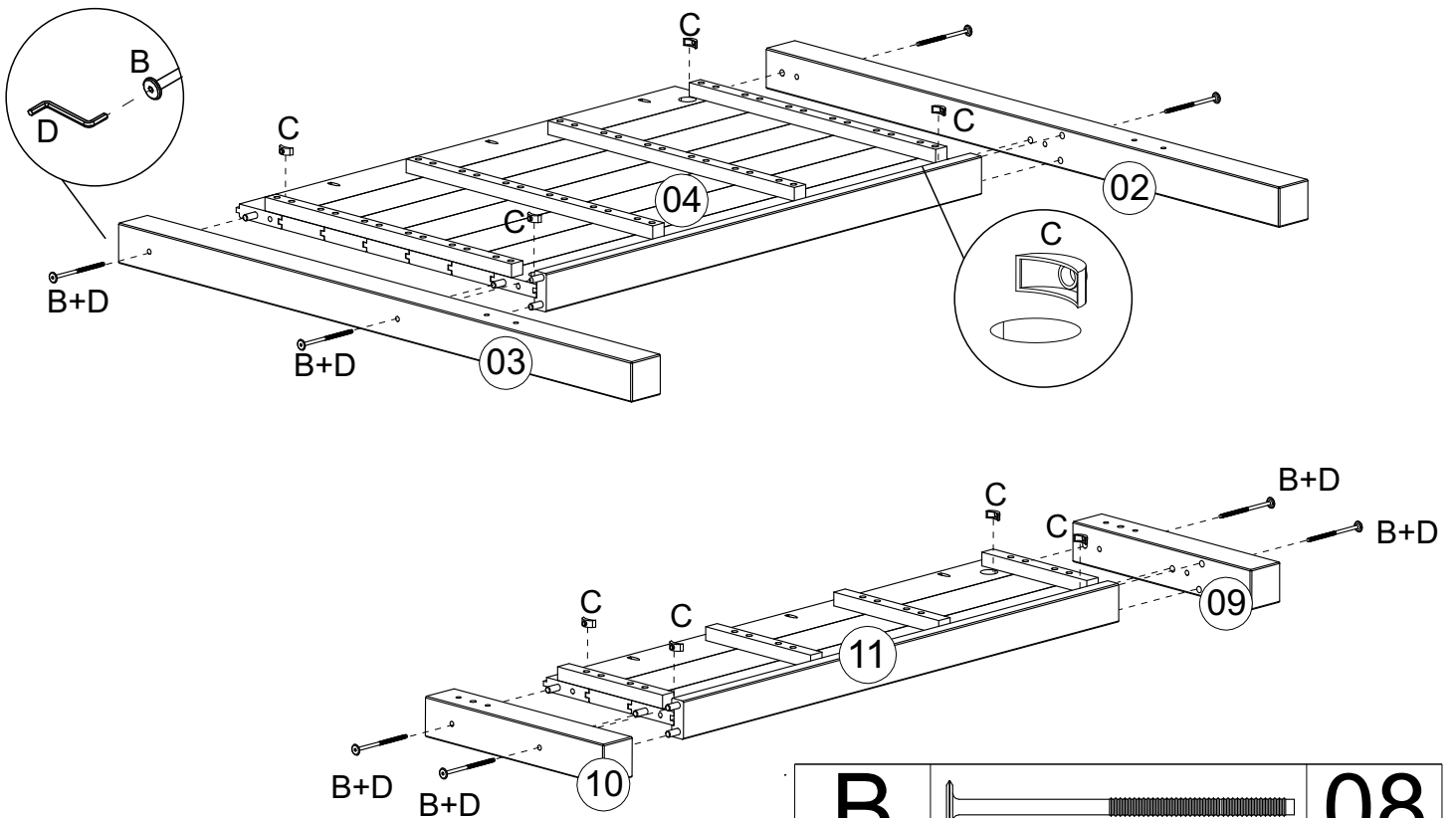
A	 10X40	26
B	 (17) - 1/4X110	16
C		16
D		01
E	 CC - 3,5X35	15
F	 (17) - 7X70	02
G	 CC - 4X50 P.V.	04
H	 P.V.	04

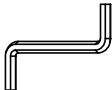
STEP 1

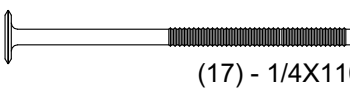



A		26 10X40
----------	---	--------------------

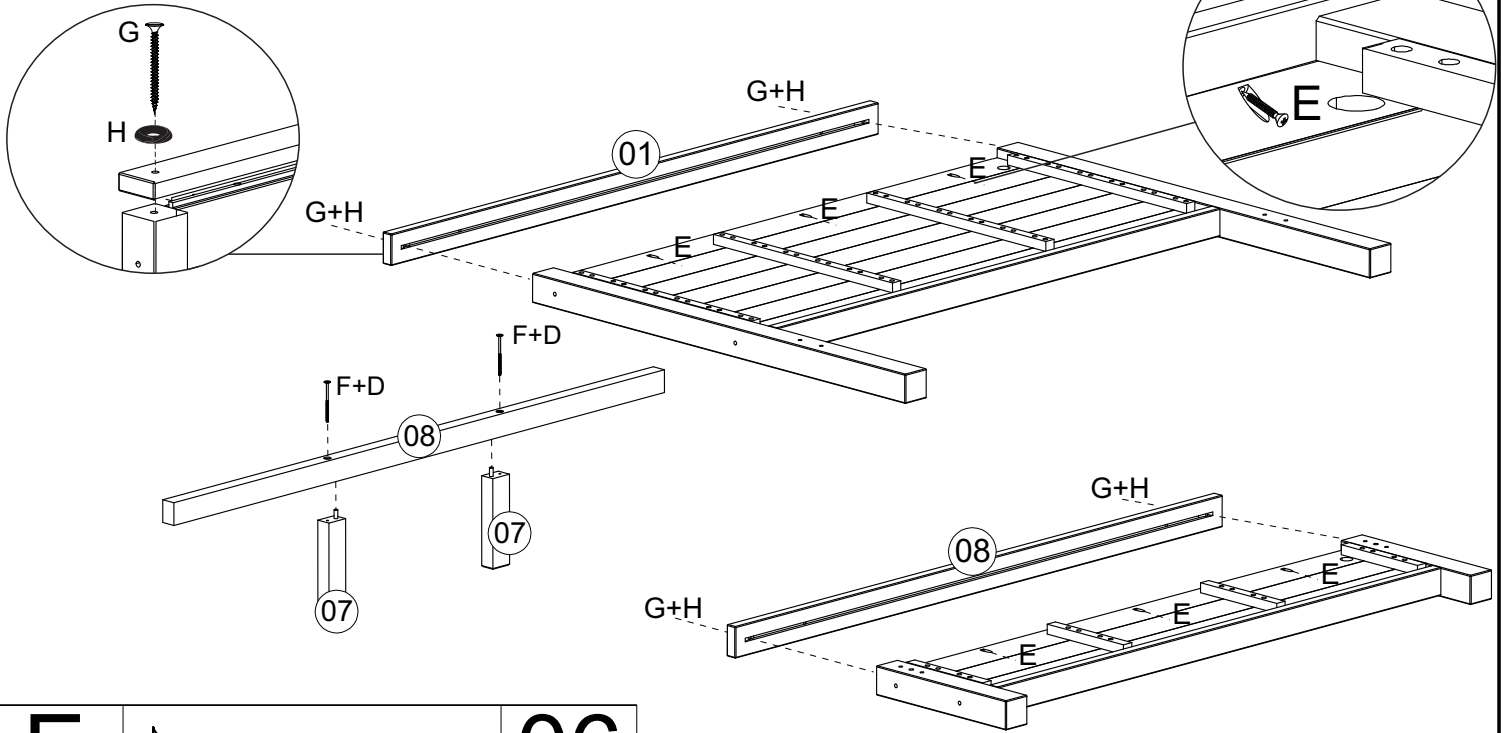
STEP 2








D		01
----------	---	-----------

B	 (17) - 1/4X110	08
C		08

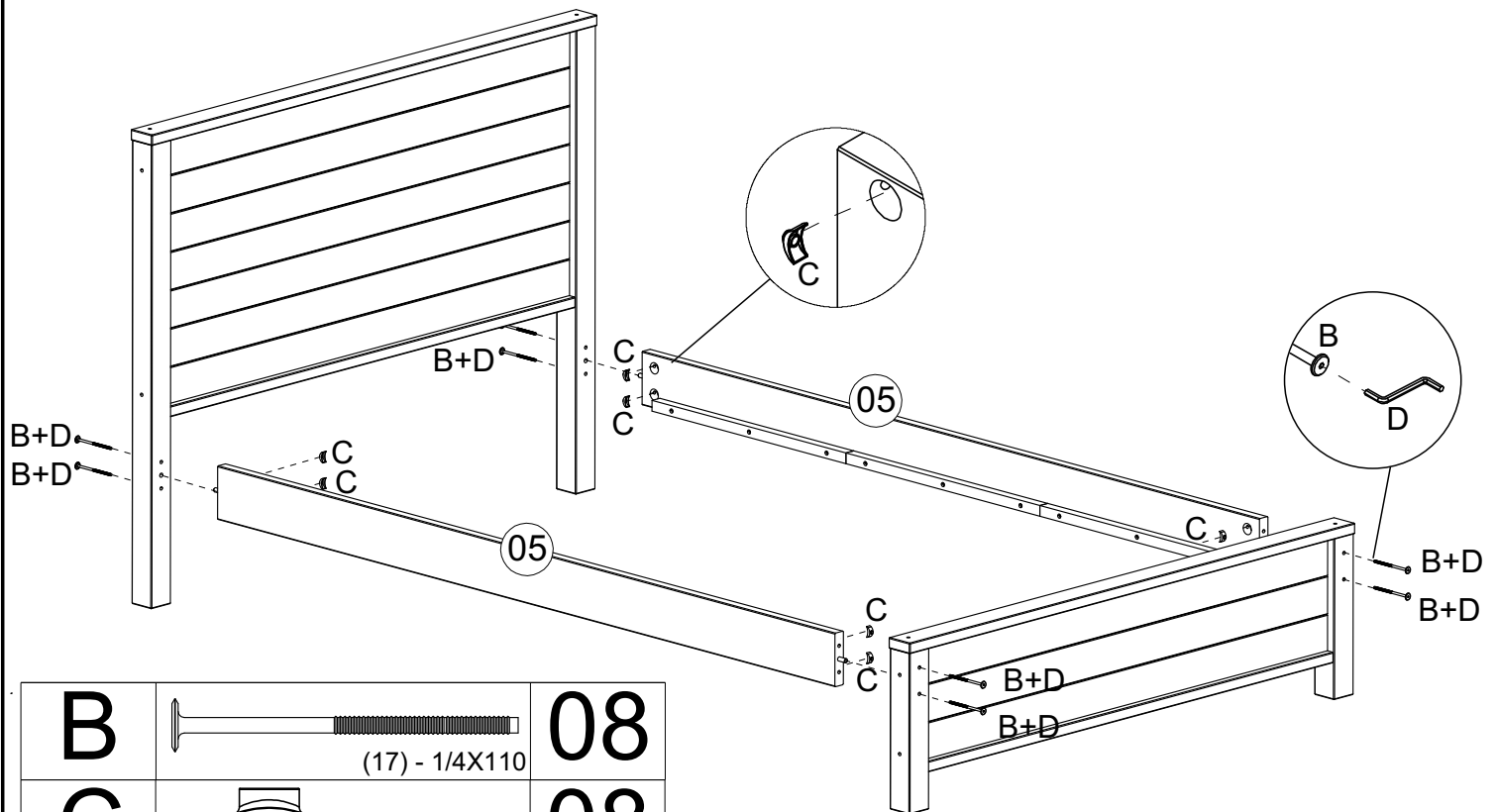
STEP 3

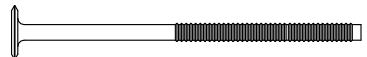
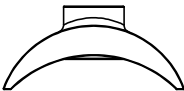
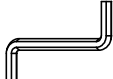


E		06
G		04
H		04

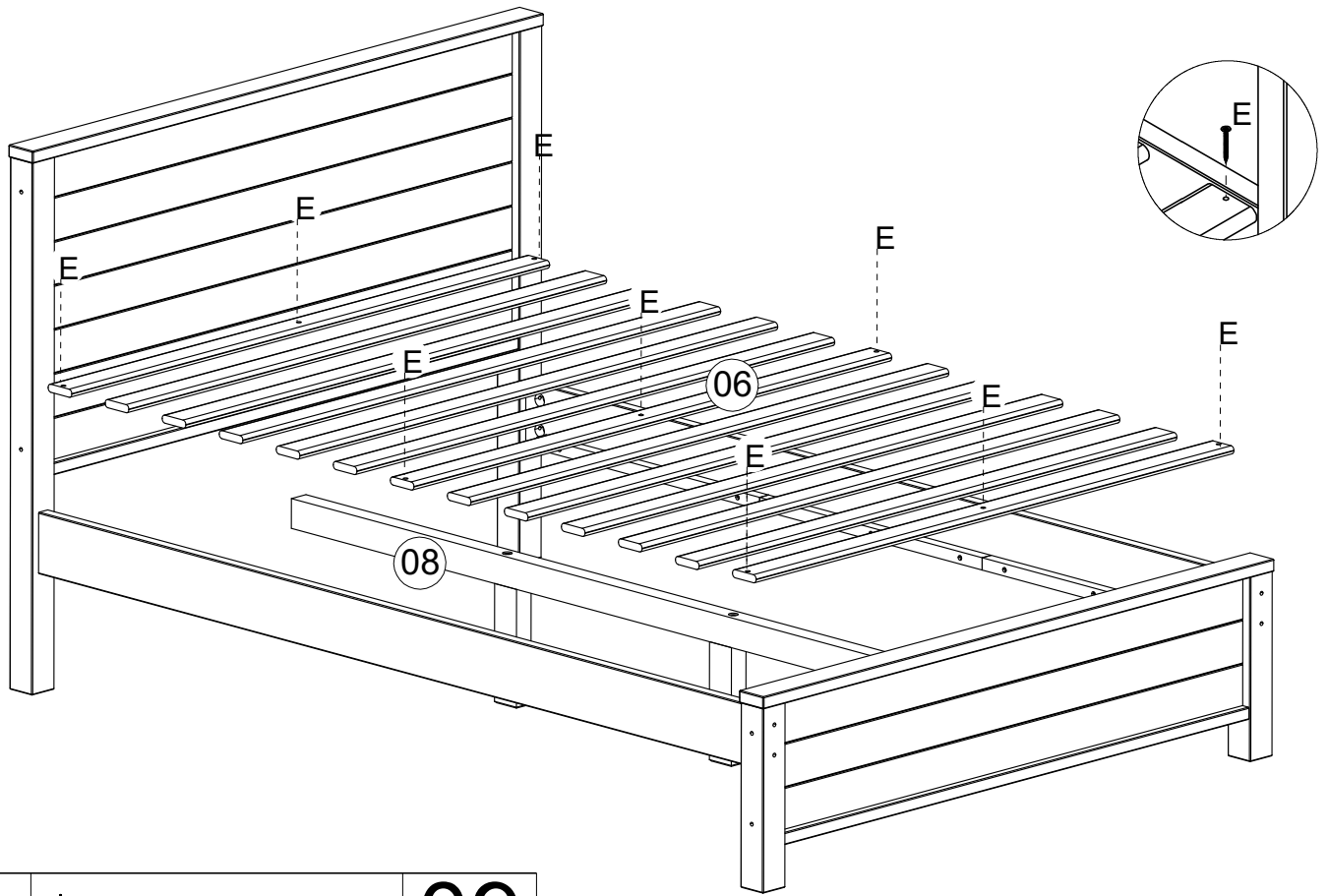
D		01
F		02

STEP 4



B		08
C		08
D		01

STEP5



E



CC - 3,5X35

09

